

RP-SMA Bulkhead Crimp connector for 240 series cable

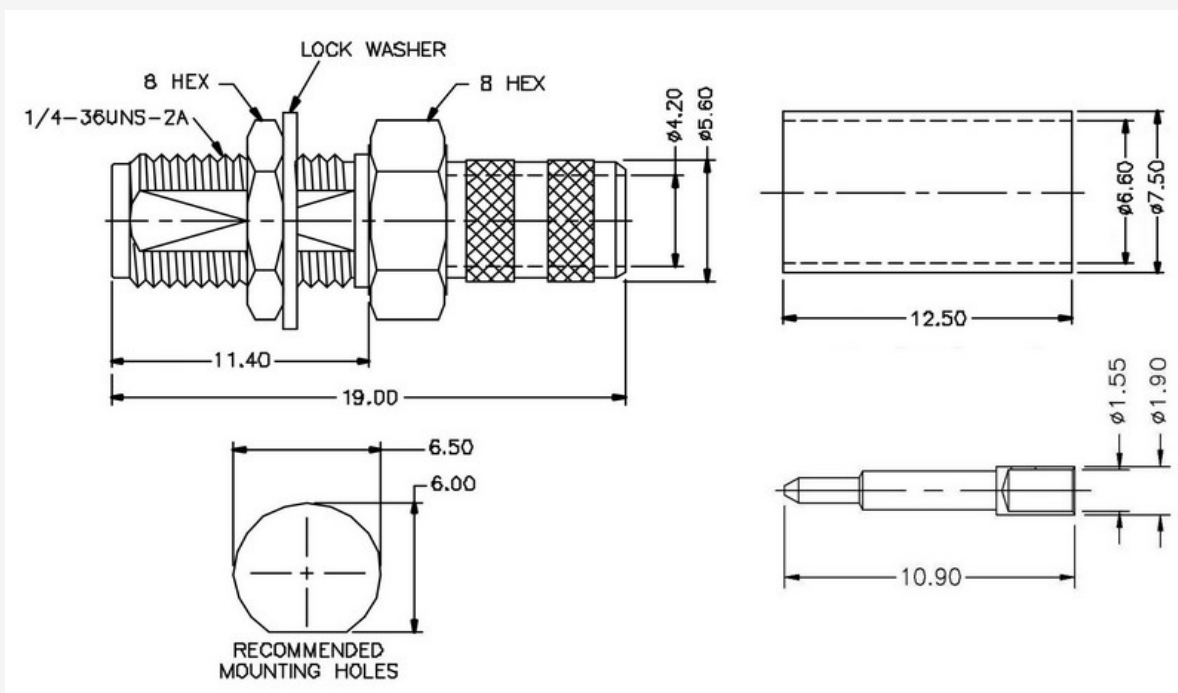
EZ-RPSMAB240

RP-SMA Bulkhead Crimp connector for 240 series cable.

RP-SMA Series coaxial connectors are medium-sized, threaded coupling connectors designed for use from DC to 11 GHz.

Their consistently low broadband VSWR have made them popular over the years in many applications.

The RP-SMA series connector is impedance matched to 50 ohm cables.



TECHNICAL SPECIFICATIONS	
Impedance	50 ohm
Frequency Range	0 to 11.0 GHz
V.S.W.R.	1.3 max
Working Voltage	1,000 volts rms max at sea level
Dielectric Withstanding Voltage	2,500 volts rms max at sea level
Contact Resistance	Center contact=1.0 Milliohms max
Contact Resistance	Outer contact=1.0 Milliohms max
Insertion Loss	0.3 dB max at 10 GHz
Insulation Resistance	5,000 Megohms min
Body Plating	Gold
Contact Plating	Gold
Crimp Tube Plating	Gold
Dielectric	Teflon

Connector
RP-SMA

Male Thread
Male Center Pin

